

waveScan High Resolution Spectrometer

High Resolution Optical Spectrum Analyzer

- waveScan by APE is a compact and cost-efficient optical spectrum analyzer for ultrafast laser systems, delivering rapid measurements at high resolutions.
- The rotating grating technology achieves high scan rates, making it an ideal real-time alignment tool for mode-locked laser systems.
- Different configurations, from 200 nm UV to 6.3 μm in the mid-infrared range, make waveScan the choice for analyzing the spectrum of different laser types.
- As an option, waveScan is available with an interchangeable fiber input in addition to a free-space input.
- Whether you need fast scan rates for adjustment or high resolution, combined with convenient measurement control and data processing - waveScan is the ideal solution.



- High spectral resolution up to 0.05 nm depending on the configuration
- Wavelength ranges available from 200 nm - 6300 nm (UV/VIS/NIR/MIR)
- Compact and robust design
- Free-space or fiber input options
- Easy to use - plug and play via USB connection; Software included

waveScan Specifications

Specifications



Configuration	Wavelength Range	Resolution (FWHM)
	200 ... 1100 nm	0.2 nm
	220 ... 540 nm	0.05 nm
	500 ... 1600 nm	0.2 nm
	800 ... 2600 nm	0.5 nm
1500 ... 6300 nm	3 nm	
Scan Rate	~ 6 Hz	
Laser Repetition Rate	> 4 MHz (real-time measurements) > 1 kHz (accumulation mode)	
Wavelength Accuracy	± 0.1 nm (configuration dependent)	
Beam Input	Free-space; Optional fiber coupling*	
Connection	USB	
Remote Control	Possible via TCP/IP (SCPI command set)	
Software	Included, Windows compatible	

Options

- Fiber coupling*

Dimensions

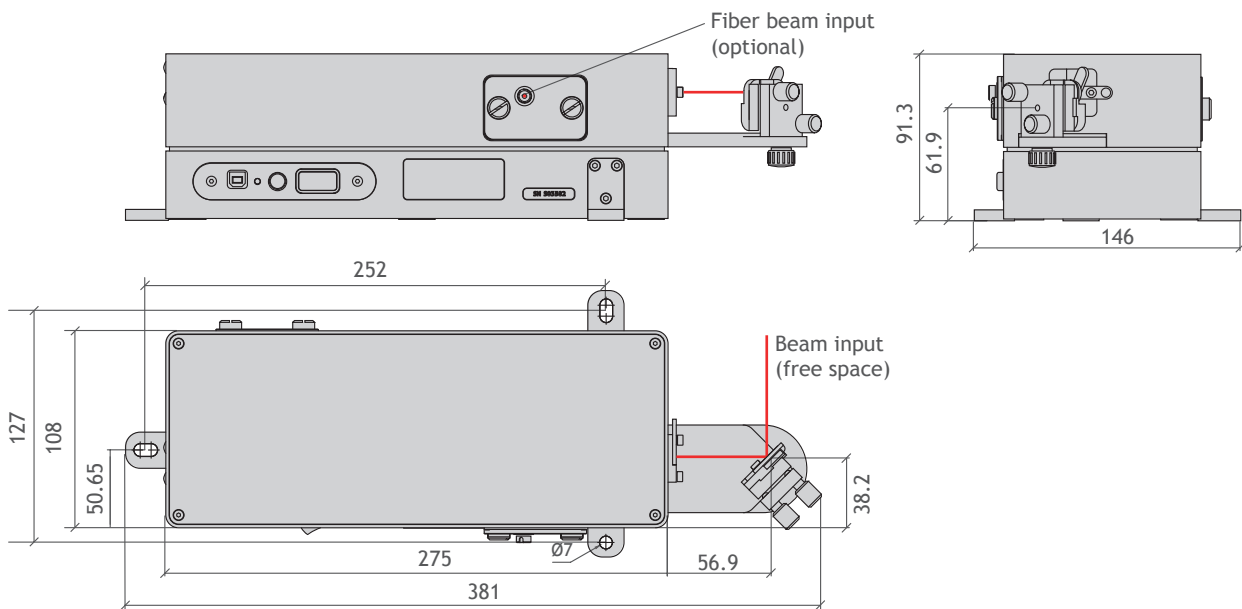
381 x 92 x 146 mm (See appendix for details)

* Single mode fiber input recommended to achieve specified resolution

waveScan Technical Drawings

waveScan

- High resolution spectrum analyzer



Similar Products

- pulseCheck - Autocorrelator multitalent for any task
- Mini TPA - Autocorrelator compact and tuning-free
- Mini PD - Autocorrelator routine tasks with a fixed wavelength range
- Carpe - Autocorrelator first choice for multiphoton microscopy
- Spider - Complete pulse characterization
- peakDetect - Pulse quality monitoring

Contact

APE Angewandte Physik & Elektronik GmbH

Plauener Str. 163-165 | Haus N | 13053 Berlin | Germany
 T: +49 30 986 011-30
 F: +49 30 986 011-333
 E: sales@ape-berlin.de
 www.ape-berlin.de

Local Contact

Applied Physics & Electronics, Inc.
 45401 Research Avenue | Suite 141
 Fremont | CA 94539 | USA
 T: +1 (888) 690-3250 sales@ape-america.com
 www.ape-america.com

APE follows a policy of continued product improvement. Therefore, specifications are subject to change without notice.

© APE GmbH | November 2016 | Rev. 3.1.1